

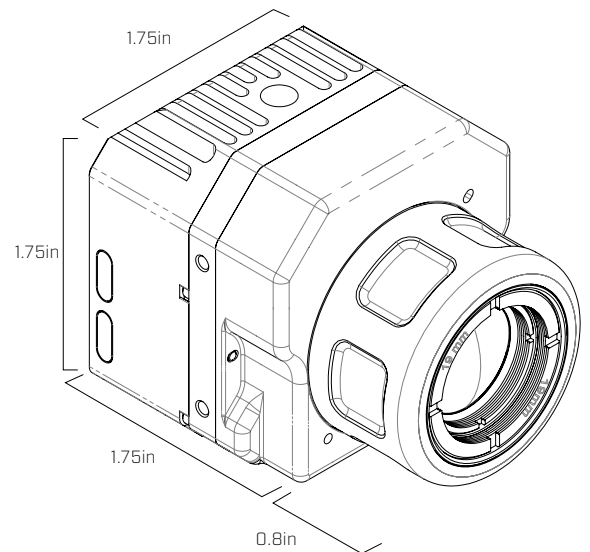
Specifications

Overview		
Thermal Imager	Uncooled VOx Microbolometer	
Sensor Resolution	640 × 512	336 × 256
Lens Options (FOV for Full-Sensor Digital Output)	9 mm; 69° × 56° 13 mm; 45° × 37° 19 mm; 32° × 26°	6.8 mm; 45° × 35° 9 mm; 35° × 27° 13 mm; 25° × 19°
Lens Options* (FOV for NTSC Analog Output)	9 mm; 62° × 49° 13 mm; 45° × 35° 19 mm; 32° × 24°	6.8 mm; 44° × 33° 9 mm; 34° × 26° 13 mm; 24° × 18°
Spectral Band	7.5 - 13.5 μm	
Full Frame Rates	30 Hz (NTSC); 25 Hz (PAL)	
Exportable Frame Rates	7.5 Hz (NTSC); 8.3 Hz (PAL)	
Measurement Accuracy	+/-5°C or 5% of reading	
Physical Attributes		
Size	2.26" x 1.75" (including lens)	
Weight	3.25 - 4 oz (Configuration Dependant)	
Precision Mounting Holes	Two M2x0.4 on each of two sides & bottom One 1/4-20 threaded hole on top	
Image Processing & Display Controls		
Image Optimization for sUAS	Yes	
Digital Detail Enhancement	Yes - Adjustable in GUI	
Invertable Image?	Yes - Selectable in GUI	
Polarity Control (black hot/white hot) & Color Palettes	Yes - Selectable in GUI	
Interfacing		
Input Supply Voltage	4.0 - 6.0 VDC	
Power Dissipation, steady state (max. 2.5W during shutter event of approximately 0.5 seconds)	<1.2 W	~1.0 W
Environmental		
Operating Temperature Range	-20°C to +50°C	
Non-Operating Temperature Range	-55°C to +95°C	
Operational Altitude	+40,000 feet	
Power/Video Module		
Input Power Range	5 VDC – 28 VDC	
Reverse Polarity Protection?	Yes	
Analog Video Output?	Yes	
HDMI Output	1920x1080 @ 50hz, 60hz 1920x1080 @ 50hz, 60hz 1280x720 @ 50hz, 60hz 720x576 @ 50hz 720x480 @ 60hz	

* Because the analog video output resolutions (640 × 480 and 320 × 240, respectively) are less than the full sensor resolution captured when saving digital stills and video, their resultant fields of view are slightly smaller as well. Both sets of values are shown here to allow operators the option of choosing the FOVs that most accurately reflect their pre-flight planning requirements.

Power/Video Module

The Power/Video Module makes the Vue Pro and Vue Pro R easier to integrate than ever. Its 10-pin mini-USB connector accepts a wider input power range and provides reverse polarity protection while still providing analog video output and access to the camera's on-board storage. The micro-HDMI connector outputs HDMI video for live digital video downlink systems like DJI Lightbridge and 3DR Solo. All this in a package that's only 11 mm thick and weighs 15 grams.



Vue Pro R with Power/Video Module attached

Equipment described herein may require US Government authorization for export purposes. Diversion contrary to US law is prohibited. Imagery for illustration purposes only. Specifications are subject to change without notice. ©2016 FLIR Systems, Inc. All rights reserved. (Created 04/22)