



FLIR VUE™ Pro

Take drone thermal imaging and data recording to the next level with Vue Pro

Designed for professional use, FLIR Vue Pro is more than a thermal camera, it is a thermal measurement instrument and data recorder that adds tremendous value to your sUAS operations and services. Still with the same industry-leading thermal imaging quality and affordability as the best-selling FLIR Vue, the Vue Pro adds full data recording of thermal video and 14-bit still imagery. When connected to compatible flight control systems, it will automatically insert full aircraft geo-location and flight data information into each captured image for the easy image stitching required for mapping, survey, and precision agriculture applications.



AFFORDABLE THERMAL IMAGING AND ON-BOARD DATA RECORDING

- Airborne thermal data recording starting as low as \$1,999
- Simple power-in/video-out interface over 10-pin mini-USB connector
- Image settings optimized for airborne operations

ON-BOARD RECORDING OF THERMAL IMAGERY AND FLIGHT DATA TO AN ON-BOARD MICROSD CARD

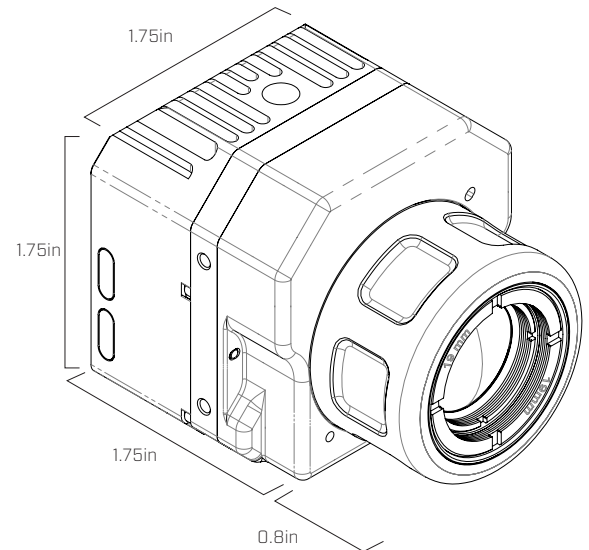
- Record real-time thermal videos in MOV format
- Still images save aircraft's flight information in each still image
- MAVLink integration with convenient over RS-232 connection

FLEXIBLE, POWERFUL CAMERA CONTROL AND CONFIGURATION OPTIONS

- Control two selectable camera functions with PWM inputs – imagery color palettes, recording start/stop, still image capture, or E-zoom setting
- Configure your camera's recording and control settings with our mobile app
- Field-upgradeability make sure you'll always have the latest features

Specifications

Overview	
Thermal Imager	Uncooled VOx Microbolometer
Resolution	640x512 336x256
Lens Options	9 mm; 69° × 56° 6.8 mm; 45° × 35° 13 mm; 45° × 37° 9 mm; 35° × 27° 19 mm; 32° × 26° 13 mm; 25° × 19°
Spectral Band	7.5 - 13.5 μm
Full Frame Rates	30 Hz (NTSC); 25 Hz (PAL)
Exportable Frame Rates	7.5 Hz (NTSC); 8.3 Hz (PAL)
Physical Attributes	
Size	2.26" x 1.75" (including lens)
Weight	3.25 - 4 oz (Configuration Dependent)
Precision Mounting Holes	Two M2x0.4 on each of two sides & bottom One 1/4-20 threaded hole on top
Image Processing & Display Controls	
Image Optimization for sUAS	Yes
Digital Detail Enhancement	Yes - Adjustable in GUI
Invertable Image?	Yes - Selectable in GUI
Polarity Control (black hot/white hot) & Color Palettes	Yes - Selectable in GUI
Interfacing	
Input Supply Voltage	4.0 - 6.0 VDC
Power Dissipation, steady state (max. 2.5W during shutter event of approximately 0.5 seconds)	<1.2 W ~1.0 W
Environmental	
Operating Temperature Range	-20°C to +50°C
Non-Operating Temperature Range	-55°C to +95°C
Operational Altitude	+40,000 feet



SANTA BARBARA

FLIR Systems, Inc.
70 Castilian Drive
Goleta, CA 93117
USA
PH: +1 866.344.4674

PORTLAND

Corporate Headquarters
FLIR Systems, Inc.
27700 SW Parkway Ave.
Wilsonville, OR 97070
USA
PH: +1 866.344.4674

www.flir.com
NASDAQ: FLIR

Equipment described herein may require US Government authorization for export purposes. Diversion contrary to US law is prohibited. Imagery for illustration purposes only. Specifications are subject to change without notice. ©2015 FLIR Systems, Inc. All rights reserved. [Created 09/01]